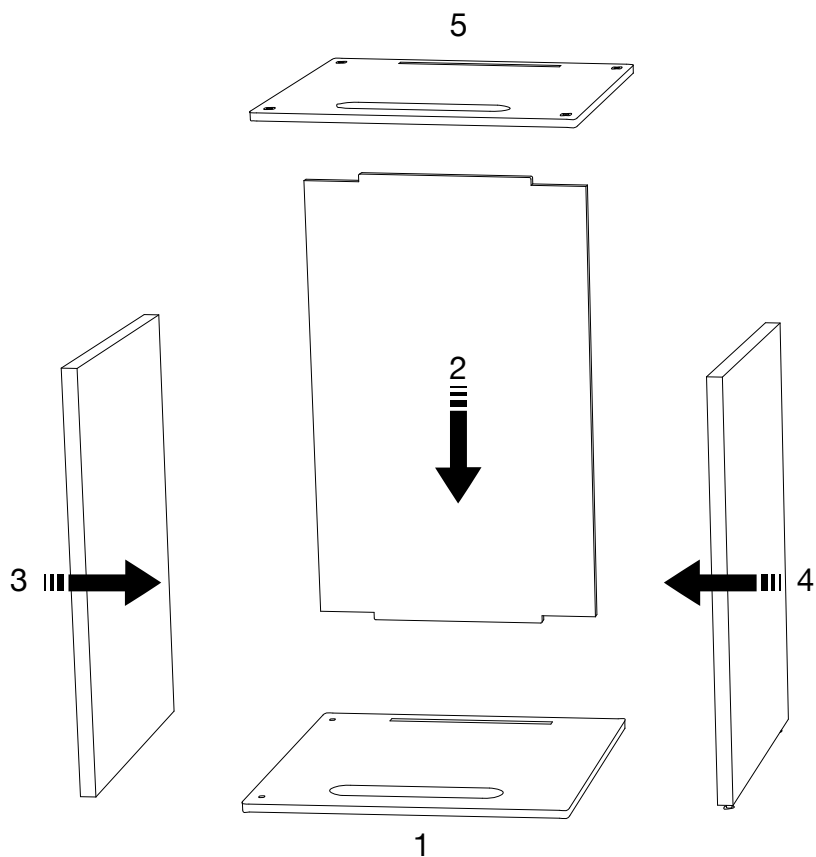


AIRWOOD DESIGN

record crate

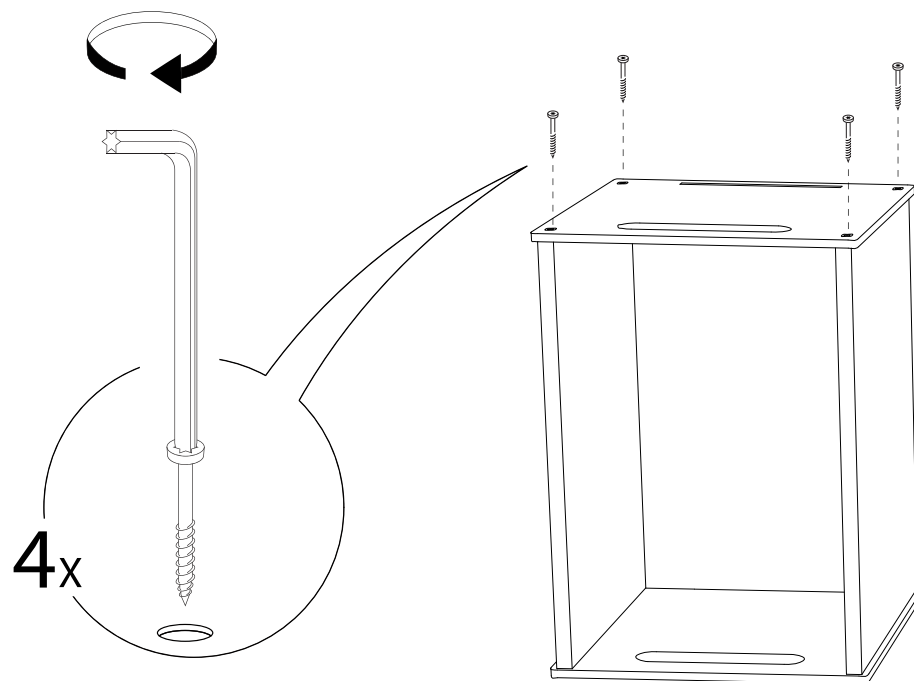


Assemble all parts with logo side facing out using the above sequence and insert four screws by hand.

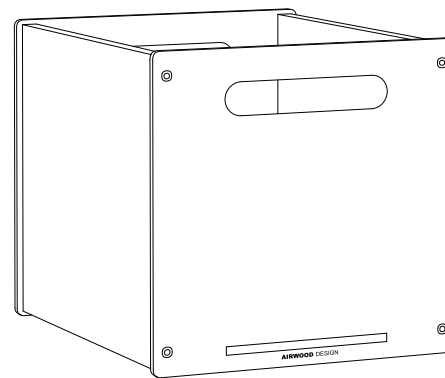


ASSEMBLE ON A FLAT SURFACE

**DON'T FULLY TIGHTEN UNTIL ALL 8 SCREWS
HAVE BEEN INSERTED**



Drive the four screws using the included tool until the head sits slightly above the surface, carefully flip the assembled parts upside down and repeat. Do not fully tighten at this point.



Place the crate upright on a flat surface and tighten all eight screws until the heads are seated flush or slightly below the surface.